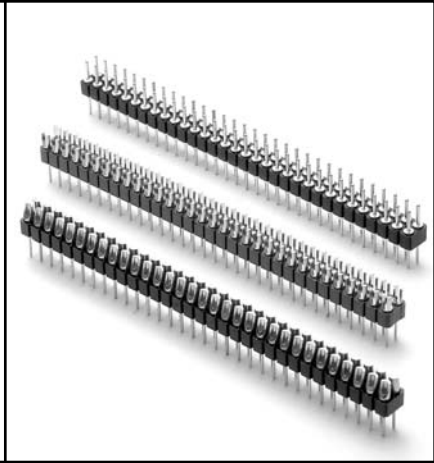


- Series 450, 460, 470 & 480 double row Header strips come with various styles (pin, slotted head, turret and solder cup) with pluggable solder tails.
- 450...001 uses pin #0290
- 460...001 uses pin #0282
- 470...001 uses pin #0700
- 480...001 uses pin #8000
- See pages 173 & 174 for details.
- Insulators are high temp. thermoplastic.



Ordering Information

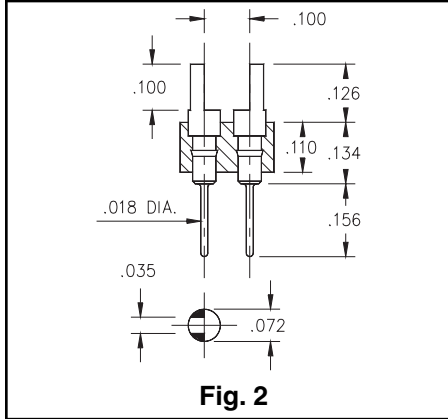


Fig. 1	Series 450...001 Pin / Solder Tail
	450-XX-2_ _-00-001000 Specify # of pins → 02-64

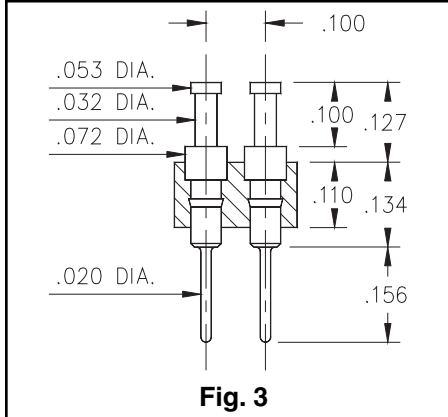


Fig. 2	Series 460...001 Slotted Head / Solder Tail
	460-XX-2_ _-00-001000 Specify # of pins → 02-64

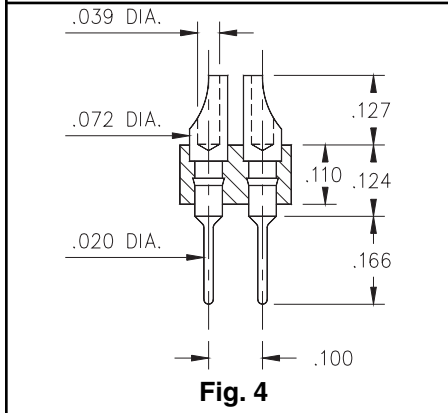


Fig. 3	Series 470...001 Turret / Solder Tail
	470-XX-2_ _-00-001000 Specify # of pins → 02-64

Fig. 4	Series 480...001 Solder Cup / Solder Tail
	480-XX-2_ _-00-001000 Specify # of pins → 02-64

For RoHS compliance select ◊ plating code.

XX=Plating Code See Below



SPECIFY PLATING CODE XX=	10 ◊	90	40 ◊	
Pin Plating	10μ" Au	200μ" Sn/Pb	200μ" Sn	